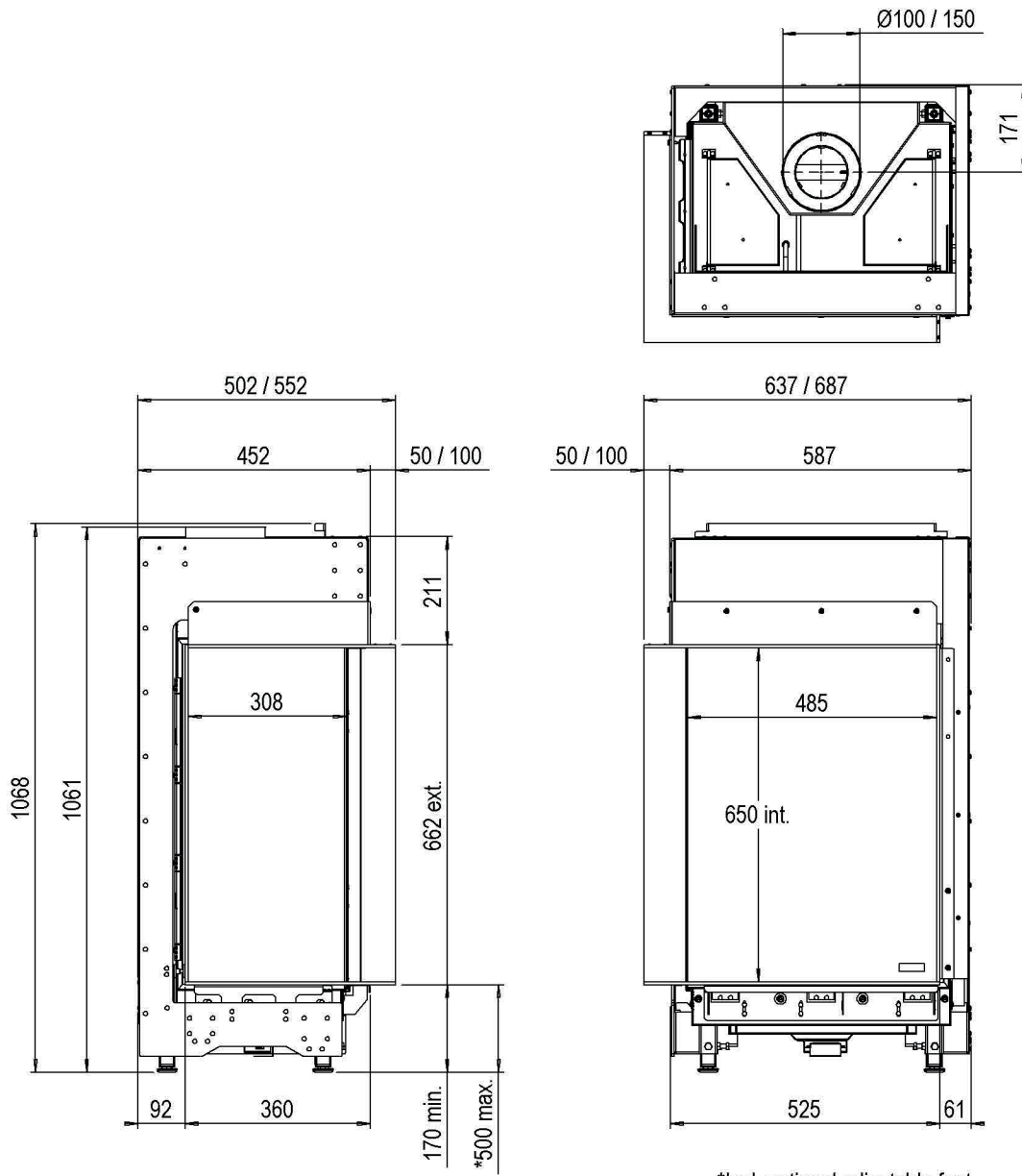


17.6 MatriX 450/650-III



\*Incl. optional adjustable feet